

see what Delta can do™

WATER SUPPLY ELBOW

FEATURES:

- Lumicoat® Finish (-PR models only)
- Lumicoat® Finishes easily wipe clean without cleaners and chemicals on the products most commonly touched areas

STANDARD SPECIFICATIONS:

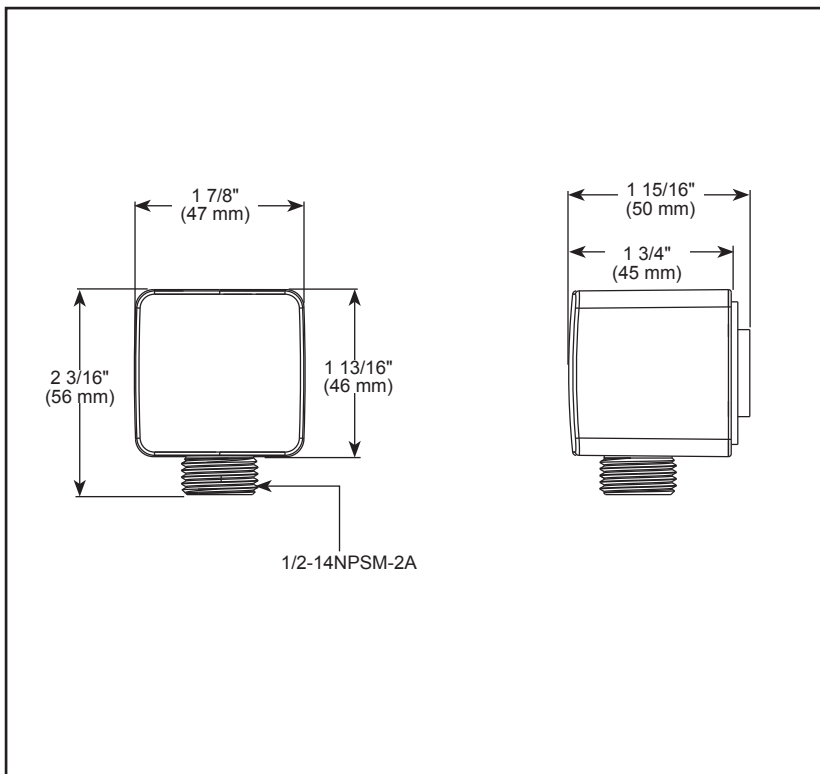
- 1/2" female NPT inlet
- 1/2" male NPSM outlet for connecting to shower hose

WARRANTY:

- Parts and Finish – Lifetime limited warranty; or for commercial purchasers, 10 years for multi-family residential (apartments and condominiums) and 5 years for all other commercial uses, in each case from the date the product is received by the original purchaser or their authorized representative (installation contractor, etc.).
- Please go to www.deltafaucet.com for the complete details of our limited warranty.

COMPLIES WITH:

- ASME A112.18.1 / CSA B125.1



▲ Designate proper finish suffix

Delta Faucet Company reserves the right (1) to make changes in specifications and materials, and (2) to change or discontinue models, both without notice or obligation. Dimensions are for reference only. See current full-line price book or www.deltafaucet.com for finish options and product availability.

DSP-B-50914 Rev. A

Delta Faucet Company

55 E. 111th Street, Carmel, IN 46280
350 South Edgeware Road, St. Thomas, ON N5P 4L1
© 2025 Delta Faucet Company



see what Delta can do™

SHOWER HEAD

■ 6-Spray Setting Shower Head

FEATURES:

- Touch-Clean® Spray Holes
- H₂Okinetic® Shower technology
- Lumicoat® Finish (-PR models only)
- Lumicoat® Finishes easily wipe clean without cleaners and chemicals on the products most commonly touched areas

STANDARD SPECIFICATIONS:

- Max flow rate 1.75 gpm @ 80 psi, 6.6 L/min @ 550 kPa (52914-▲ & 52914-▲-PR)
- Max flow rate 2.5 gpm @ 80 psi, 9.5 L/min @ 550 kPa (52914-▲25 & 52914-▲PR25)
- Shower head with six spray settings
- Change spray modes with push button
- Fits standard 1/2"-14 NPT pipe fitting
- Ball connector swivel angle is 30° (15° per side)
- 6 Spray settings include: H₂Okinetic® spray, Full Body spray, Shampoo Rinsing spray, Massaging spray, Full spray with Massage and Pause. Pause is a non-positive shut-off

WARRANTY:

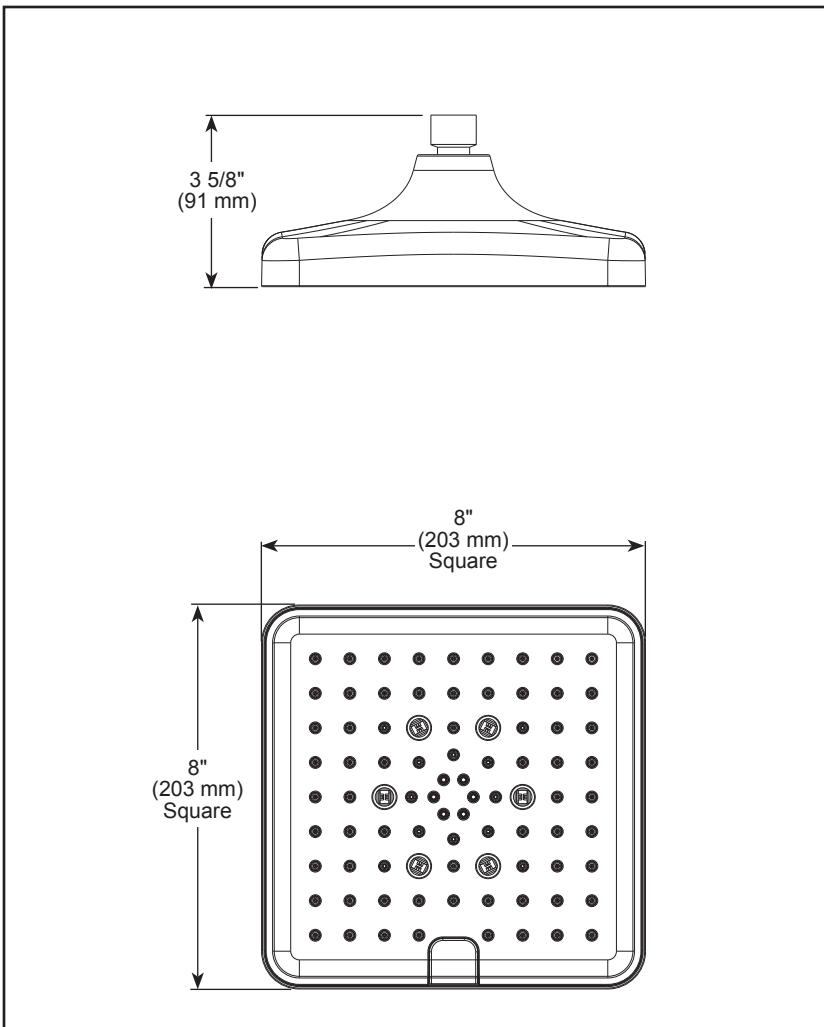
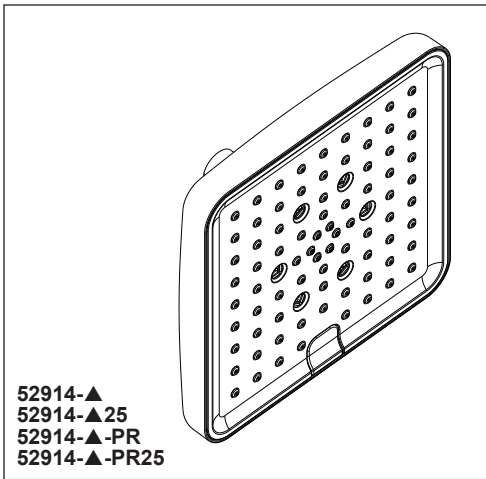
- Parts and Finish – Lifetime limited warranty; or for commercial purchasers, 10 years for multi-family residential (apartments and condominiums) and 5 years for all other commercial uses, in each case from the date the product is received by the original purchaser or their authorized representative (installation contractor, etc.).
- Please go to www.deltafaucet.com for the complete details of our limited warranty.



certified by
CSA Group
SHOWER HEADS
PRIMEROS DE SU CLASE
CARBONCIL DE RESISTENCIA

COMPLIES WITH:

- ASME A112.18.1 / CSA B125.1
- EPA WaterSense® - Applies to 52914-▲ & 52914-▲-PR only

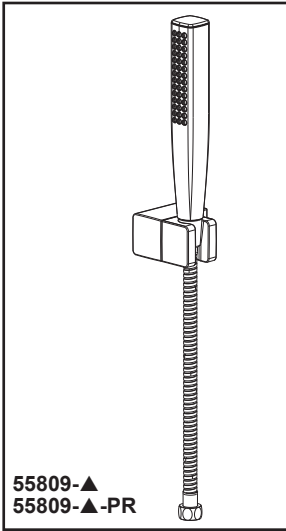


▲ Designate proper finish suffix

Delta Faucet Company reserves the right (1) to make changes in specifications and materials, and (2) to change or discontinue models, both without notice or obligation. Dimensions are for reference only. See current full-line price book or www.deltafaucet.com for finish options and product availability.

Delta Faucet Company

55 E. 111th Street, Carmel, IN 46280
350 South Edgeware Road, St. Thomas, ON N5P 4L1
© 2026 Delta Faucet Company



see what Delta can do™

HAND SHOWER W/ WALL MOUNT

■ Single-Setting Hand Shower

FEATURES:

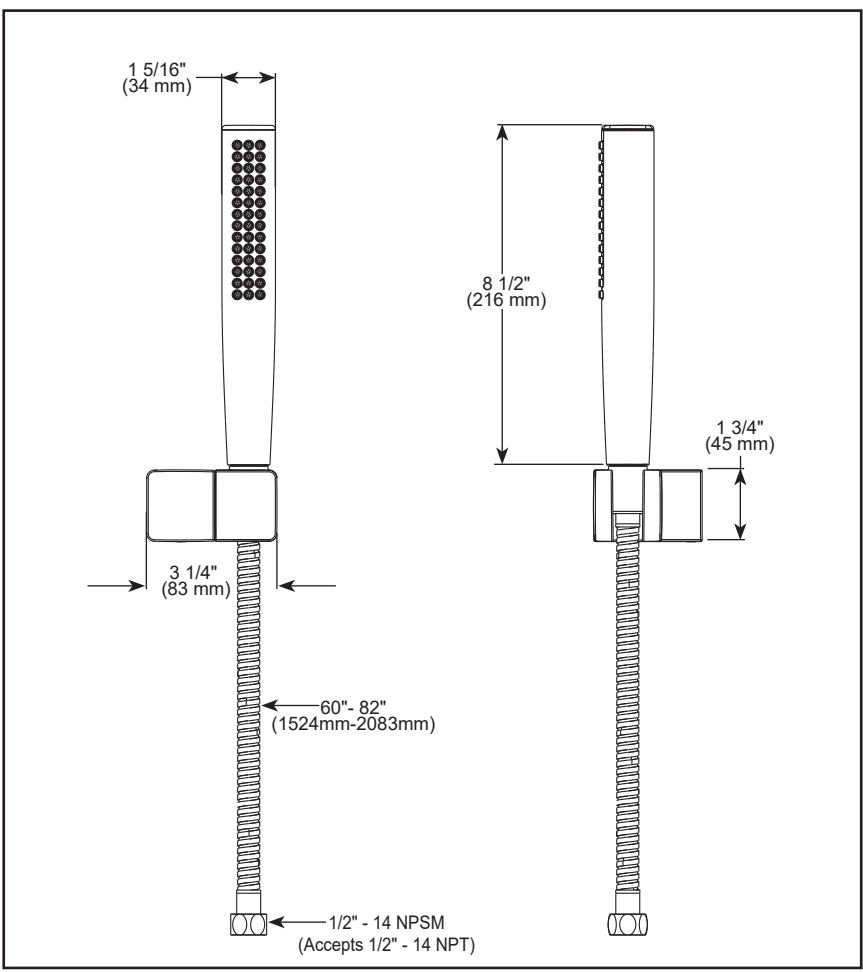
- Touch-Clean® Spray Holes
- FeatherRain™ Spray
- Lumicoat® Finish (-PR models only)
- Lumicoat® Finishes easily wipe clean without cleaners and chemicals on the products most commonly touched areas

STANDARD SPECIFICATIONS:

- Max flow rate 1.75 gpm @ 80 psi, 6.6 L/min @ 550 kPa
- Certified dual check valves for backflow protection
- Adjustable shower arm mounting for hands-free showering
- Wall mount can swivel 35° forward to 5° rearward
- 60"- 82" (1524 mm-2083 mm) stretchable metal hose
- Lumicoat® is not applied to the slide bar or shower hose
- Spray settings include: FeatherRain™ Spray

WARRANTY:

- Parts and Finish – Lifetime limited warranty; or for commercial purchasers, 10 years for multi-family residential (apartments and condominiums) and 5 years for all other commercial uses, in each case from the date the product is received by the original purchaser or their authorized representative (installation contractor, etc.).
- Please go to www.deltafaucet.com for the complete details of our limited warranty.



▲ Designate proper finish suffix



COMPLIES WITH:

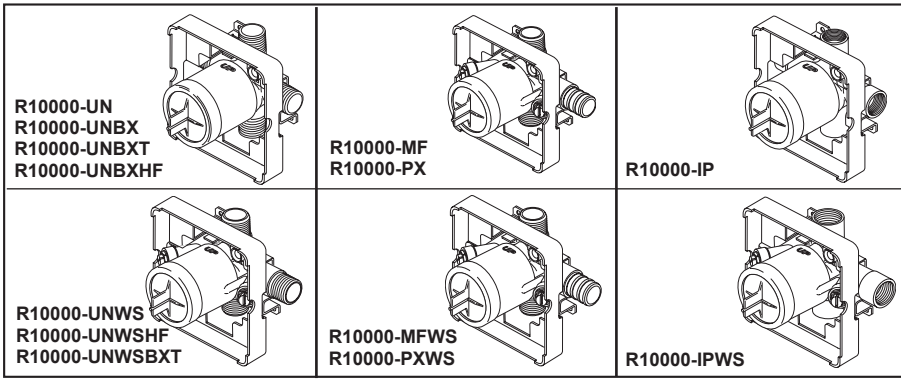
- ASME A112.18.1 / CSA B125.1♦
- ASME A112.18.3
- EPA WaterSense®
- ♦ Your Delta hand shower incorporates a backflow protection system that has been tested to be in compliance with ASME A112.18.3 and ASME A112.18.1/CSA B125.1. It incorporates two certified check valves in series, which operate independently and are integral, non-serviceable parts of the wand assembly.

Delta Faucet Company reserves the right (1) to make changes in specifications and materials, and (2) to change or discontinue models, both without notice or obligation. Dimensions are for reference only. See current full-line price book or www.deltafaucet.com for finish options and product availability.

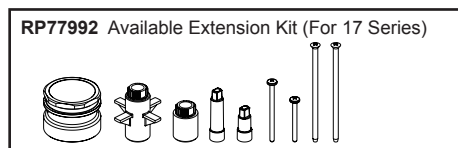
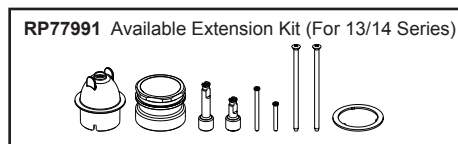
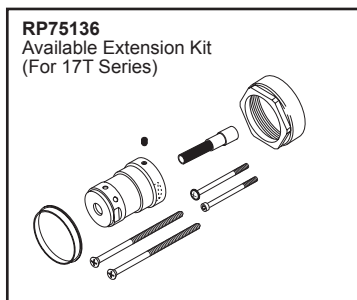
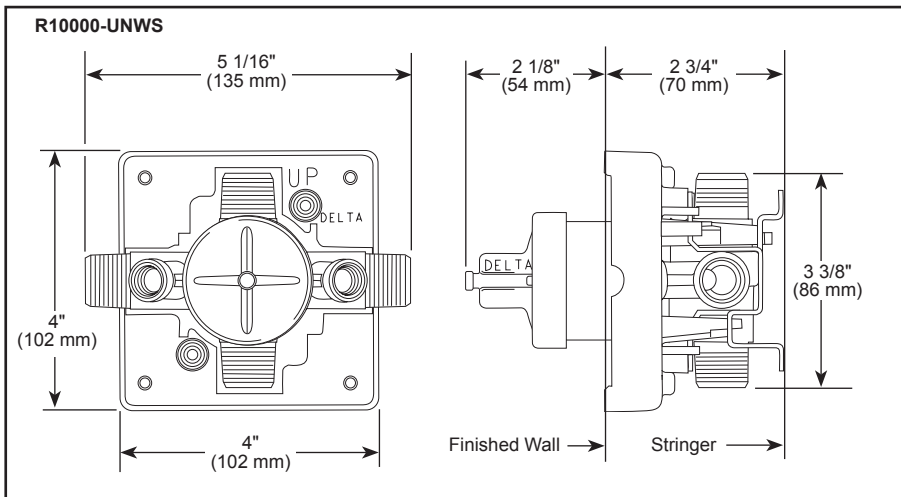
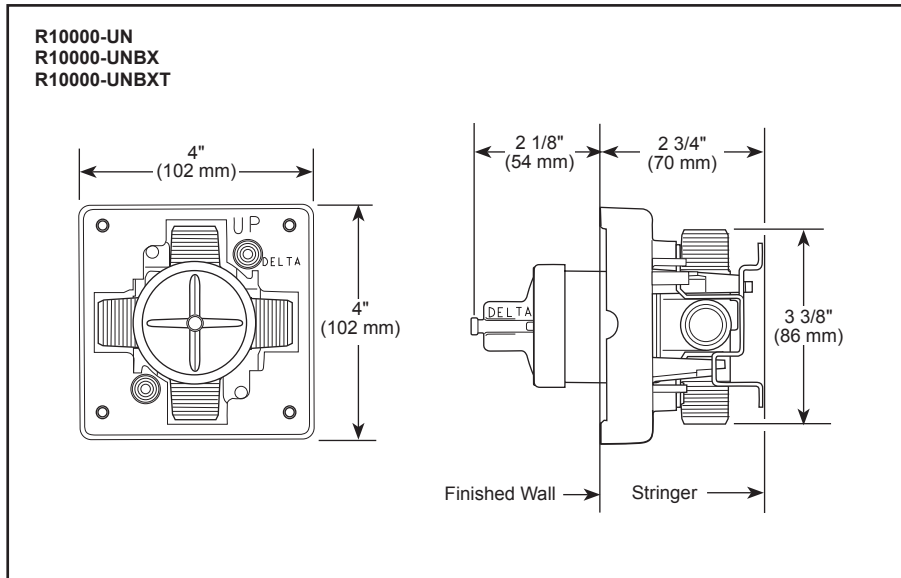


see what Delta can doSM

MULTICHOICE[®] UNIVERSAL ROUGH VALVE BODY



- R10000-UN (Universal Inlets/Outlets)
- R10000-UNBX (Universal Single Box Model)
- R10000-UNBXHF (High Flow Shower Only)
- R10000-UNBXT (Thin Wall)
- R10000-UNWS (Universal with Stops)
- R10000-UNWSHF (High Flow with Stops)
- R10000-UNWSBXT (Thin Wall with Stops)
- R10000-PX (Pex Crimp Connections with UN Outlets)
- R10000-PXWS (Pex Crimp Connections with Stop with UN Outlets)
- R10000-IP (IPS Inlets/Outlets)
- R10000-IPWS (IPS with Stops)
- R10000-MF (Pex Cold Expansion Connections with UN Outlets)
- R10000-MFWS (Pex Cold Expansion with Stops with UN Outlets)



STANDARD SPECIFICATIONS:

- Forged brass body.
- Back-to-Back installation capabilities.
- Can be tested with air (200 PSI) or water (300 PSI) without valve using supplied test cap.
- Square plasterguard allows for right angle cuts.
- Thin wall mounting.
- For use with MultiChoice[®] Universal single or dual function trim. Cartridge ships with trim.
- 1/2" outlets and connections.
- Note: No tub outlet in HF model.
- Note: Should use proper fitting with each type (copper tubing, iron pipe, and pex fitting).
- Note: Should use proper tooling with crimping pex fitting and cold expansion pex models.
- Note: IP indicates female 1/2" threaded connections.
- Note: UN indicates Universal type fitting and is 1/2" NPT male thread with 1/2" C.W.T. female sweat.

WARRANTY:

- Parts and Finish – Lifetime limited warranty; or for commercial purchasers, 10 years for multi-family residential (apartments and condominiums) and 5 years for all other commercial uses, in each case from the date the product is received by the original purchaser or their authorized representative (installation contractor, etc.).
- Please go to www.deltafaucet.com for the complete details of our limited warranty.

COMPLIES WITH:

- ASME A112.18.1 / CSA B125.1

Delta Faucet Company reserves the right (1) to make changes in specifications and materials, and (2) to change or discontinue models, both without notice or obligation. Dimensions are for reference only. See current full-line price book or www.deltafaucet.com for finish options and product availability.

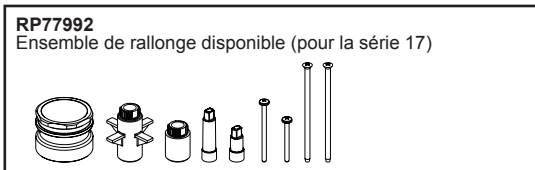
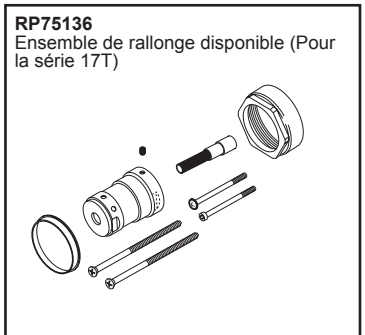
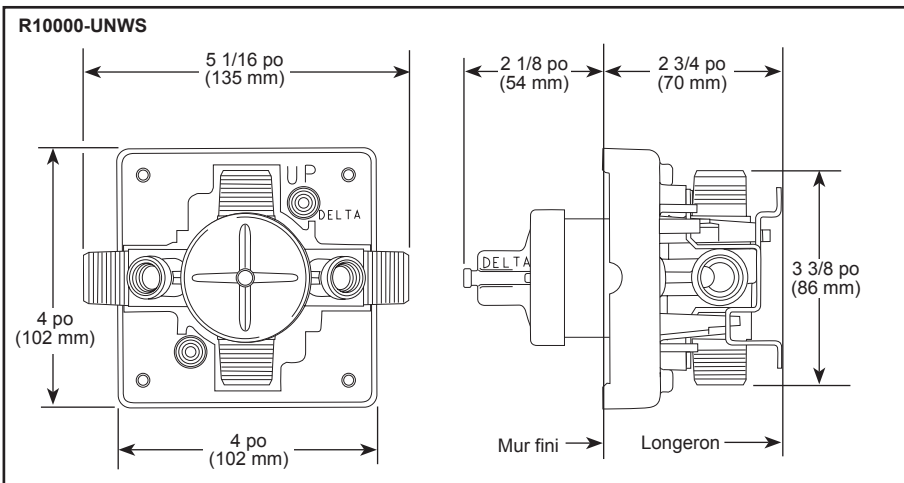
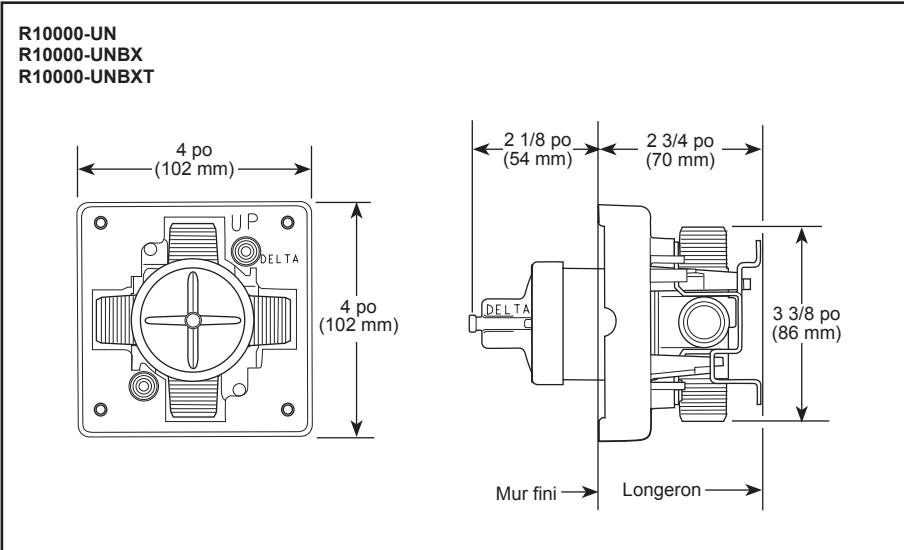
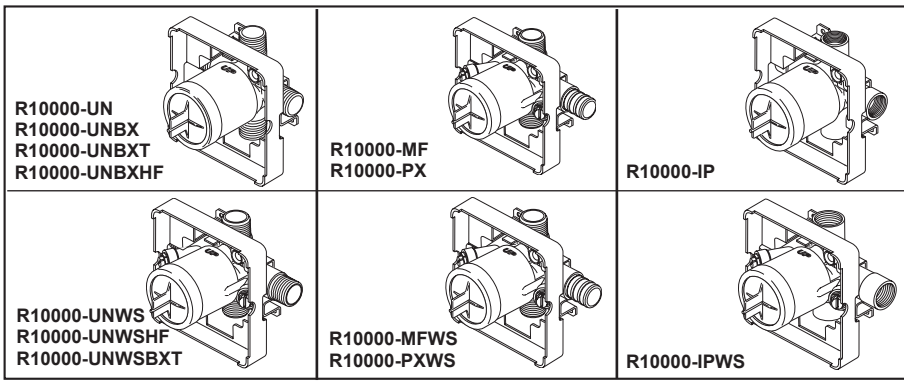
Delta Faucet Company

55 E. 111th Street, Carmel, IN 46280
350 South Edgeware Road, St. Thomas, ON N5P 4L1
© 2025 Delta Faucet Company



voyez ce que Delta peut faire™

CORPS DE SOUPAPE DE PLOMBERIE BRUTE UNIVERSELLE MULTICHOICE^{MD}



- R10000-UN (Entrées/Sorties universelles)
- R10000-UNBX (Modèle universel à boîte unique)
- R10000-UNBXHF (Douche à haut débit uniquement)
- R10000-UNBXT (Mur mince)
- R10000-UNWS (Universel avec arrêts)
- R10000-UNWSHF (Débit élevé avec arrêts)
- R10000-UNWSBXT (Mur mince avec arrêts)
- R10000-PX (Raccords à sertir PEX avec sorties UN)
- R10000-PXWS (Raccords à sertir PEX avec arrêt avec sorties UN)
- R10000-IP (Entrées/Sorties IPS)
- R10000-IPWS (IPS avec arrêts)
- R10000-MF (Raccords d'expansion à froid PEX avec sorties UN)
- R10000-MFWS (Raccords à expansion froid PEX avec arrêts avec sorties UN)

SPÉCIFICATIONS STANDARDS :

- Corps en laiton forgé.
- Possibilité d'installation dos à dos.
- Peut être testé à l'air (200 PSI) ou à l'eau (300 PSI) sans soupape à l'aide du bouchon d'essai fourni.
- Le protège-plâtre carré permet des coupes à angle droit.
- Installation sur un mur mince.
- À utiliser avec la garniture à fonction unique ou double universelle MultiChoice^{MD}. Cartouche incluse avec la garniture.
- Sortie et raccords de 1/2 po (13 mm).
- Remarque : Pas de sortie de baignoire dans le modèle HF.
- Remarque : Il convient d'utiliser les raccords appropriés pour chaque type (tuyaux en cuivre, tuyaux en fer et raccords PEX).
- Remarque : Il convient d'utiliser l'outillage approprié pour le sertissage des raccords PEX et des modèles PEX à expansion à froid.
- Remarque : IP indique des raccords filetés femelles de 1/2 po (13 mm).
- Remarque : UN indique un raccord de type universel et il s'agit d'un filetage mâle NPT 1/2 po (13 mm) avec un raccord femelle CWT 1/2 po (13 mm) à souder.

GARANTIE:

- Pièces et finition – Garantie à vie limitée; ou pour les clients commerciaux, 10 ans pour les résidences multifamiliales (appartements et condominiums) et 5 ans pour tout autre usage commercial, dans tous les cas à compter de la date de réception du produit par l'acheteur initial ou son représentant autorisé (installateur, etc.).
- Veuillez consulter le site fr.deltafaucet.ca pour tous les détails de notre garantie limitée.

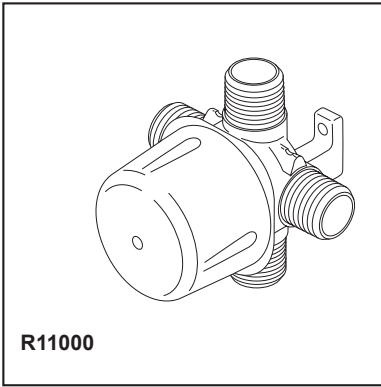
CONFORME À :

- ASME A112.18.1 / CSA B125.1

Delta Faucet Company se réserve le droit (1) d'effectuer des changements dans les spécifications et les matériaux, et (2) de modifier ou d'abandonner certains modèles, dans les deux cas sans préavis ni obligation. Les dimensions sont à titre indicatif seulement. Consultez le Livre des prix courants de la gamme complète ou fr.deltafaucet.ca pour les options de finition et la disponibilité des produits.

Delta Faucet Company

55 E. 111th Street, Carmel, IN 46280
350 South Edgeware Road, St. Thomas, ON N5P 4L1
© 2025 Delta Faucet Company



see what Delta can do™

ROUGH VALVE BODY

- R11000 (Case Qty. 3)
- 1/2" Rough-In

STANDARD SPECIFICATIONS

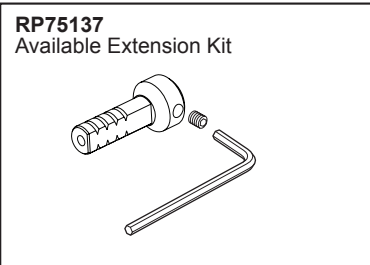
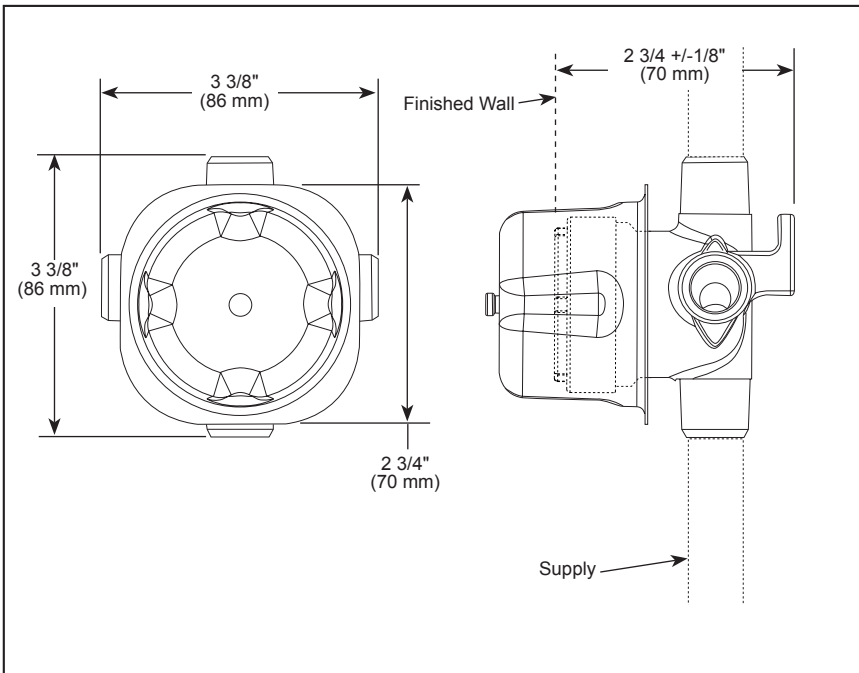
- Three port diverter rough
- For use with (3) three or (6) six function diverter.
- Forged brass body
- Can be tested with air (200 psi) or water (300 psi) using supplied test cap
- Refer to the installation instructions for more details

WARRANTY:

- Parts and Finish – Lifetime limited warranty; or for commercial purchasers, 10 years for multi-family residential (apartments and condominiums) and 5 years for all other commercial uses, in each case from the date the product is received by the original purchaser or their authorized representative (installation contractor, etc.).
- Please go to www.deltafaucet.com for the complete details of our limited warranty.

COMPLIES WITH:

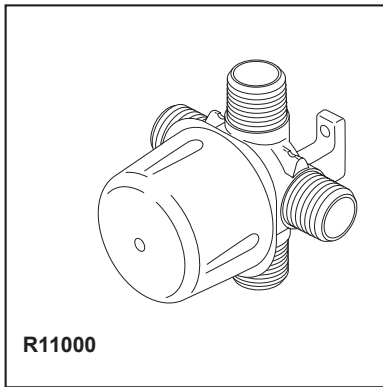
- ASME A112.18.1 / CSA B125.1



Delta Faucet Company reserves the right (1) to make changes in specifications and materials, and (2) to change or discontinue models, both without notice or obligation. Dimensions are for reference only. See current full-line price book or www.deltafaucet.com for finish options and product availability.

Delta Faucet Company

55 E. 111th Street, Carmel, IN 46280
350 South Edgeware Road, St. Thomas, ON N5P 4L1
© 2025 Delta Faucet Company



voyez ce que Delta peut faire™

CORPS DE SOUPAPE DE LA PLOMBERIE BRUTE

- R11000 (Quantité par caisse 3)
- Plomberie brute de 1/2 po (13 mm)

SPÉCIFICATIONS STANDARDS

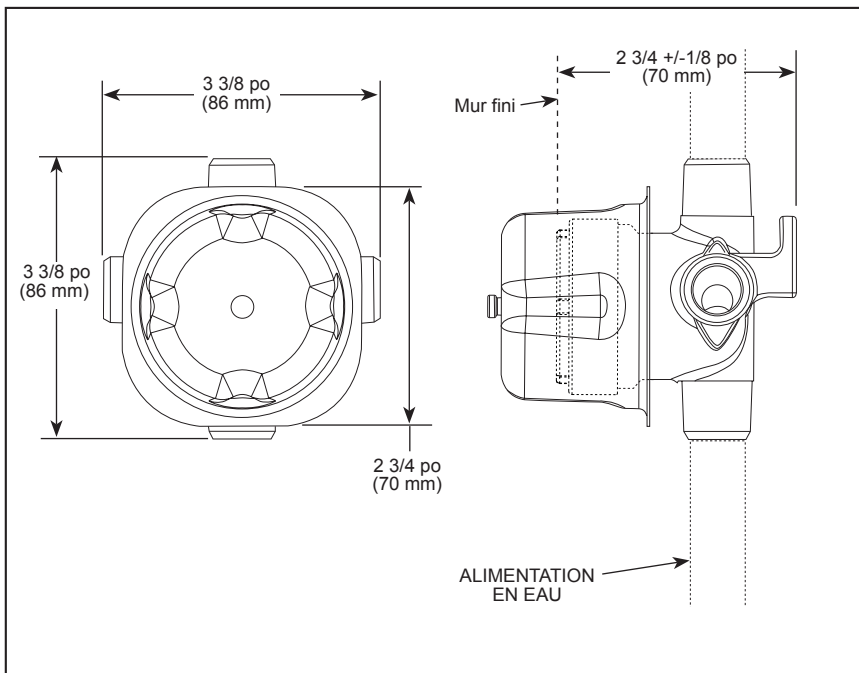
- Plomberie brute d'inverseur à trois ports
- Pour utilisation avec un inverseur à trois (3) ou six (6) fonctions.
- Corps en laiton forgé
- Peut être testé à l'air (200 PSI) ou à l'eau (300 PSI) à l'aide du bouchon d'essai fourni
- Consultez les instructions d'installation pour plus de détails.

GARANTIE:

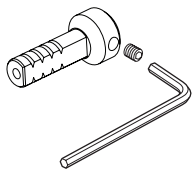
- Pièces et finition – Garantie à vie limitée; ou pour les clients commerciaux, 10 ans pour les résidences multifamiliales (appartements et condominiums) et 5 ans pour tout autre usage commercial, dans tous les cas à compter de la date de réception du produit par l'acheteur initial ou son représentant autorisé (installateur, etc.).
- Veuillez consulter le site fr.deltafaucet.ca pour tous les détails de notre garantie limitée.

CONFORME À :

- ASME A112.18.1 / CSA B125.1



RP75137
Ensemble de rallonge disponible



Delta Faucet Company se réserve le droit (1) d'effectuer des changements dans les spécifications et les matériaux, et (2) de modifier ou d'abandonner certains modèles, dans les deux cas sans préavis ni obligation. Les dimensions sont à titre indicatif seulement. Consultez le Livre des prix courants de la gamme complète ou fr.deltafaucet.ca pour les options de finition et la disponibilité des produits.

Delta Faucet Company

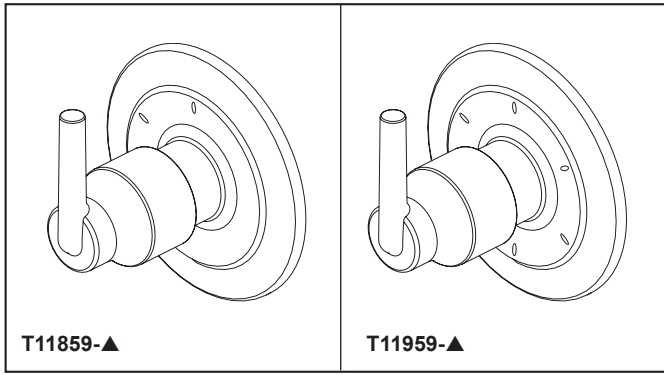
55 E. 111th Street, Carmel, IN 46280
350 South Edgware Road, St. Thomas, ON N5P 4L1
© 2025 Delta Faucet Company



see what Delta can do™

CUSTOM SHOWER DIVERTER

- Trinsic® Bath Collection
- Three Function Diverter Trim (T11859)
- Six Function Diverter Trim (T11959)



STANDARD SPECIFICATIONS

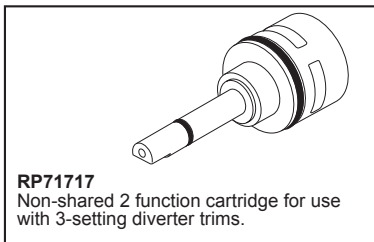
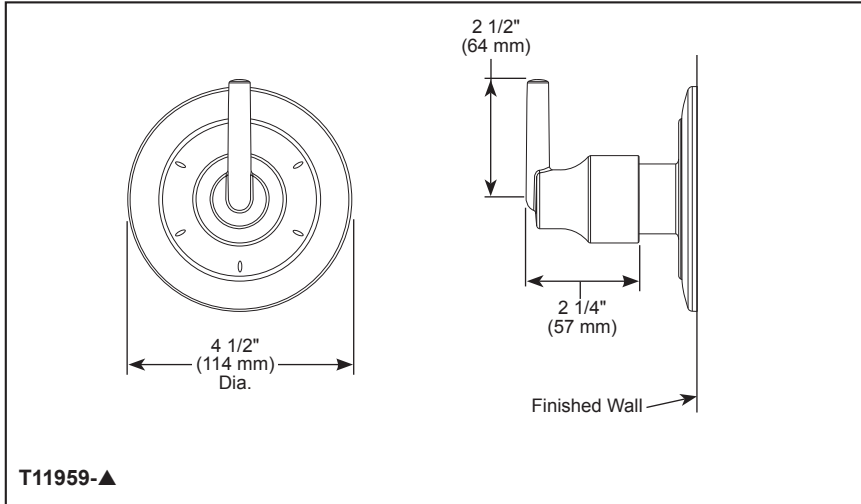
- Three function diverter. 2 individual positions, 1 shared position.
- Six function diverter. 3 individual positions, 3 shared positions.
- Must also order R11000 rough-in.
- Two individual positions, no shared positions, order cartridge RP71717.
- Three individual positions, no shared positions, order cartridge RP71718.
- Installation extension kit order RP75137, adds 1" to maximum installation thickness.

WARRANTY:

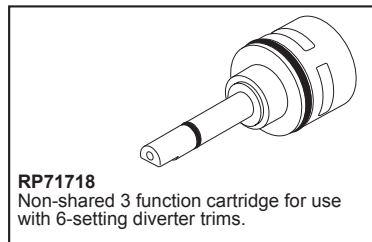
- Parts and Finish – Lifetime limited warranty; or for commercial purchasers, 10 years for multi-family residential (apartments and condominiums) and 5 years for all other commercial uses, in each case from the date the product is received by the original purchaser or their authorized representative (installation contractor, etc.).
- Please go to www.deltafaucet.com for the complete details of our limited warranty.

COMPLIES WITH:

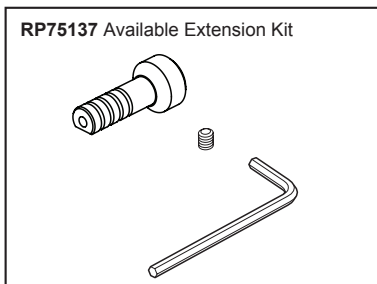
- ASME A112.18.1 / CSA B125.1
- ♿ ICC/ANSI A117.1



RP71717
Non-shared 2 function cartridge for use with 3-setting diverter trims.



RP71718
Non-shared 3 function cartridge for use with 6-setting diverter trims.



RP75137 Available Extension Kit

▲ Designate proper finish suffix

Delta Faucet Company reserves the right (1) to make changes in specifications and materials, and (2) to change or discontinue models, both without notice or obligation. Dimensions are for reference only. See current full-line price book or www.deltafaucet.com for finish options and product availability.

Delta Faucet Company

55 E. 111th Street, Carmel, IN 46280
350 South Edgeware Road, St. Thomas, ON N5P 4L1
© 2025 Delta Faucet Company



voyez ce que Delta peut faire™

INVERSEUR DE DOUCHE PERSONNALISÉ

- Collection Trinsic^{MD}
- Garniture pour inverseur à trois réglages (T11859)
- Garniture pour inverseur à six réglages (T11959)

SPÉCIFICATIONS STANDARDS

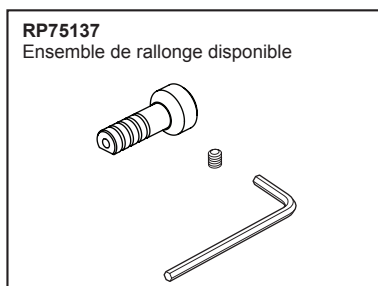
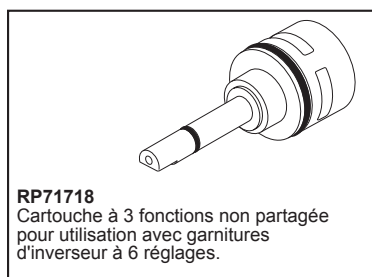
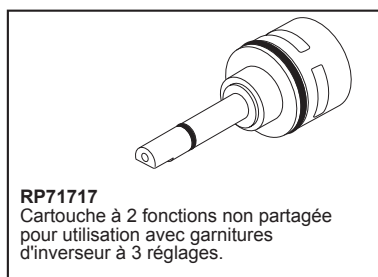
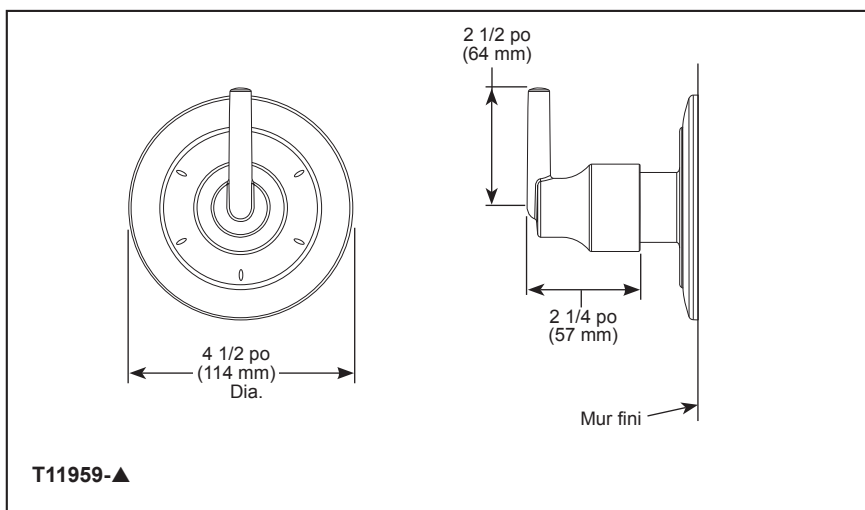
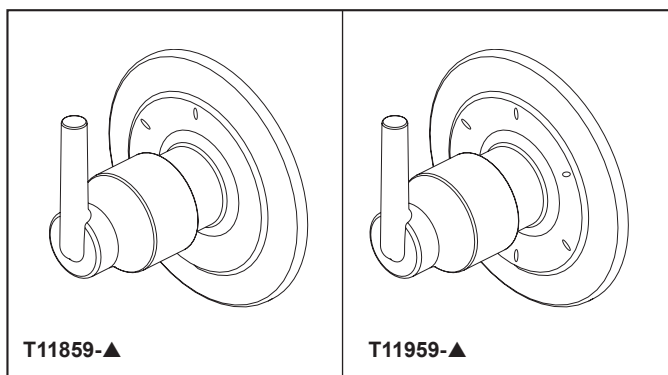
- Inverseur à trois réglages. 2 positions individuelles, 1 position partagée.
- Inverseur à six réglages. 3 positions individuelles, 3 positions partagées.
- La plomberie brute R1 1000 doit être commandée séparément.
- Deux positions individuelles, aucune position partagée, commander la cartouche RP71717.
- Trois positions individuelles, aucune position partagée, commander la cartouche RP71718.
- Ensemble de rallonge d'installation RP75137 ajoute 1 po (25 mm) à l'épaisseur d'installation maximale.

GARANTIE:

- Pièces et finition – Garantie à vie limitée; ou pour les clients commerciaux, 10 ans pour les résidences multifamiliales (appartements et condominiums) et 5 ans pour tout autre usage commercial, dans tous les cas à compter de la date de réception du produit par l'acheteur initial ou son représentant autorisé (installateur, etc.).
- Veuillez consulter le site fr.deltafaucet.ca pour tous les détails de notre garantie limitée.

CONFORME À :

- ASME A112.18.1 / CSA B125.1
- ICC/ANSI A117.1



▲ Désigner le suffixe de finition approprié

Delta Faucet Company se réserve le droit (1) d'effectuer des changements dans les spécifications et les matériaux, et (2) de modifier ou d'abandonner certains modèles, dans les deux cas sans préavis ni obligation. Les dimensions sont à titre indicatif seulement. Consultez le Livre des prix courants de la gamme complète ou fr.deltafaucet.ca pour les options de finition et la disponibilité des produits.

Delta Faucet Company

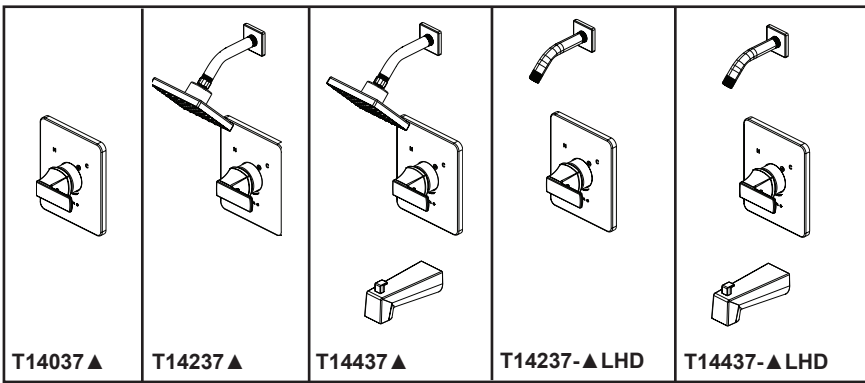
55 E. 111th Street, Carmel, IN 46280
350 South Edgeware Road, St. Thomas, ON N5P 4L1
© 2025 Delta Faucet Company



see what Delta can do™

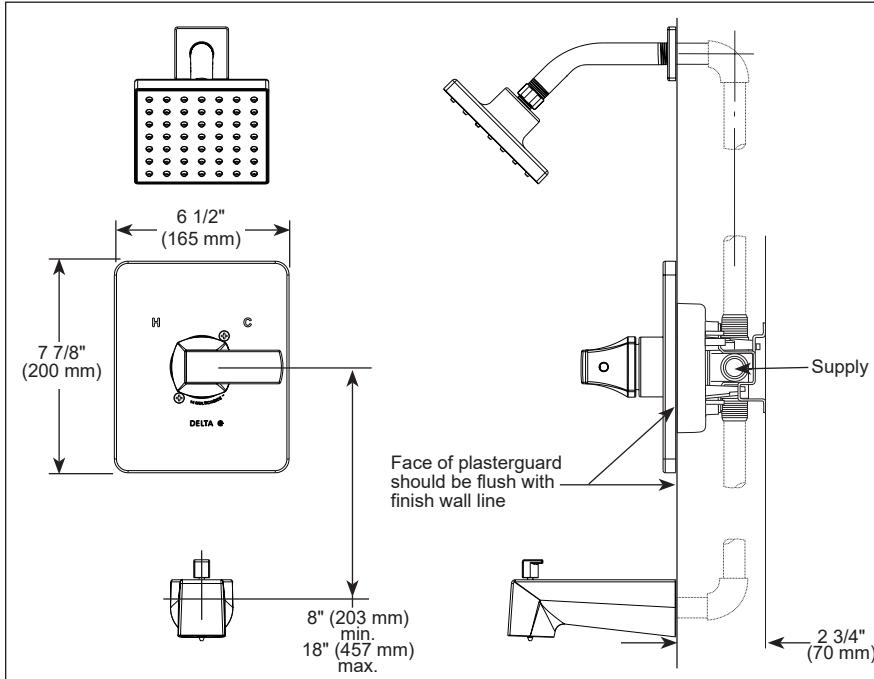
TUB AND SHOWER FAUCET TRIM

- Velum™ Bath Collection
- Valve Only (T14037)
- Shower Only (T14237 & T14237-LHD)
- Tub/Shower (T14437 & T14437-LHD)

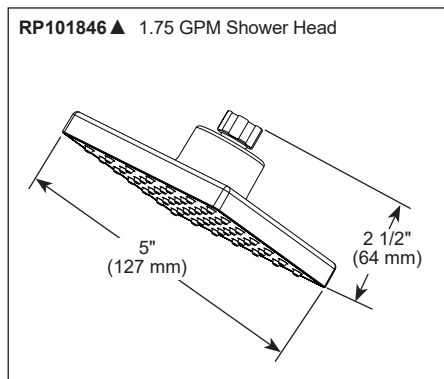
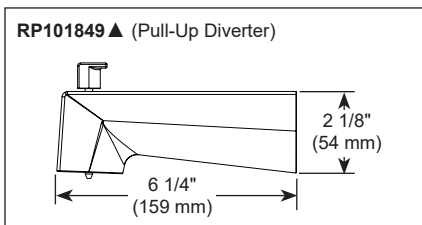


Submitted Model No.: _____

Specific Features: _____



▲ Designate Proper Finish Suffix



FEATURES:

- Monitor® 14 Series pressure balanced single handle mixing valve trim

STANDARD SPECIFICATIONS:

- Maintains a balanced pressure of hot and cold water even when a valve is turned on or off elsewhere in the system
- For use with MultiChoice® Universal rough valve body (R10000 Series)
- Back-to-back installation capability
- Solid brass forged body
- Temperature only controlled with handle
- Field adjustable to limit handle rotation into hot water zone
- 120° maximum handle rotation.
- All parts replaceable from the front of the valve
- Max flow rate 1.75 gpm @ 80 psi, 6.6 L/min @ 414 kPa
- Tub port maximum flow rate 6.0 gpm @ 60 psi with R10000-UNBX
- Shower arm overall horizontal length = 5 1/2" (138 mm), including threaded ends
- "LHD" models have pad printed red/blue temperature indication less shower head
- Stem extension kit RP77991 can be ordered to allow for an additional 1 3/4" wall thickness. RP77991 ships with chrome escutcheon screws. For special finishes also order RP12630 escutcheon screws in desired finish.

WARRANTY

- Parts and Finish - Lifetime limited warranty; or for commercial purchasers, 10 years for multi-family residential (apartments and condominiums) and 5 years for all other commercial uses, in each case from the date of purchase.
- Electronic Parts and Batteries (if applicable) - 5 years from the date of purchase; or for commercial purchasers, 1 year from the date of purchase. No warranty is provided on batteries.

COMPLIES WITH:

- ASME A112.18.1 / CSA B125.1
- ASSE 1016
- ♿ Indicates compliance to
- ICC/ANSI A117.1 - Valve control only
- EPA WaterSense® - Applies to T14237 & T14437 only

Delta reserves the right (1) to make changes in specifications and materials, and (2) to change or discontinue models, both without notice or obligation. Dimensions are for reference only. See current full-line price book or www.deltafaucet.com for finish options and product availability.

DSP-B-T14037 Rev. A

Delta Faucet Company

55 E 111th Street, Indianapolis, Indiana 46280
350 South Edgeware Road, St. Thomas, ON N5P 4L1
© 2023 Delta Faucet Company



see what Delta can do™

SHOWER ARMS

■ Fixed Shower Arms

STANDARD SPECIFICATIONS:

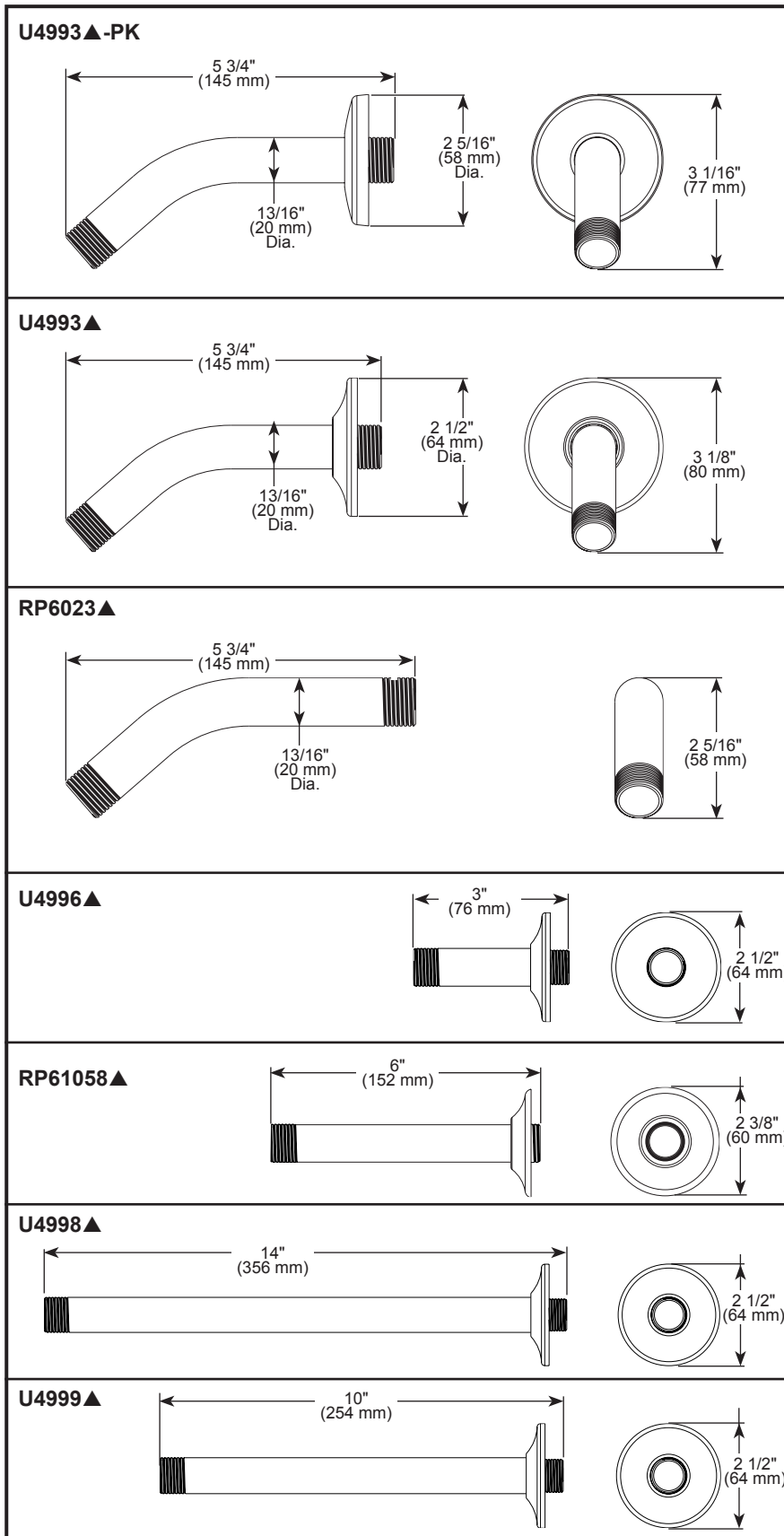
- Shower arms attach directly to water supply.
- Shower arm with flange
- Flange must be ordered separately for RP6023
- 1/2-14 NPT threads.

WARRANTY

- Parts and Finish - Lifetime limited warranty; or for commercial purchasers, 10 years for multi-family residential (apartments and condominiums) and 5 years for all other commercial uses, in each case from the date the product is received by the original purchaser or their authorized representative (installation contractor, etc.).
- Please go to www.deltafaucet.com for the complete details of our limited warranty.

COMPLIES WITH:

- ASME A112.18.1/CSA B125.1



▲ Designate proper finish suffix

Delta Faucet Company reserves the right (1) to make changes in specifications and materials, and (2) to change or discontinue models, both without notice or obligation. Dimensions are for reference only. See current full-line price book or www.deltafaucet.com for finish options and product availability.

Delta Faucet Company
55 E. 111th Street, Carmel, IN 46280
350 South Edgeware Road, St. Thomas, ON N5P 4L1
© 2026 Delta Faucet Company



voyez ce que Delta peut faire®

BRAS DE DOUCHE

■ Bras de douche fixes

SPÉCIFICATIONS STANDARDS

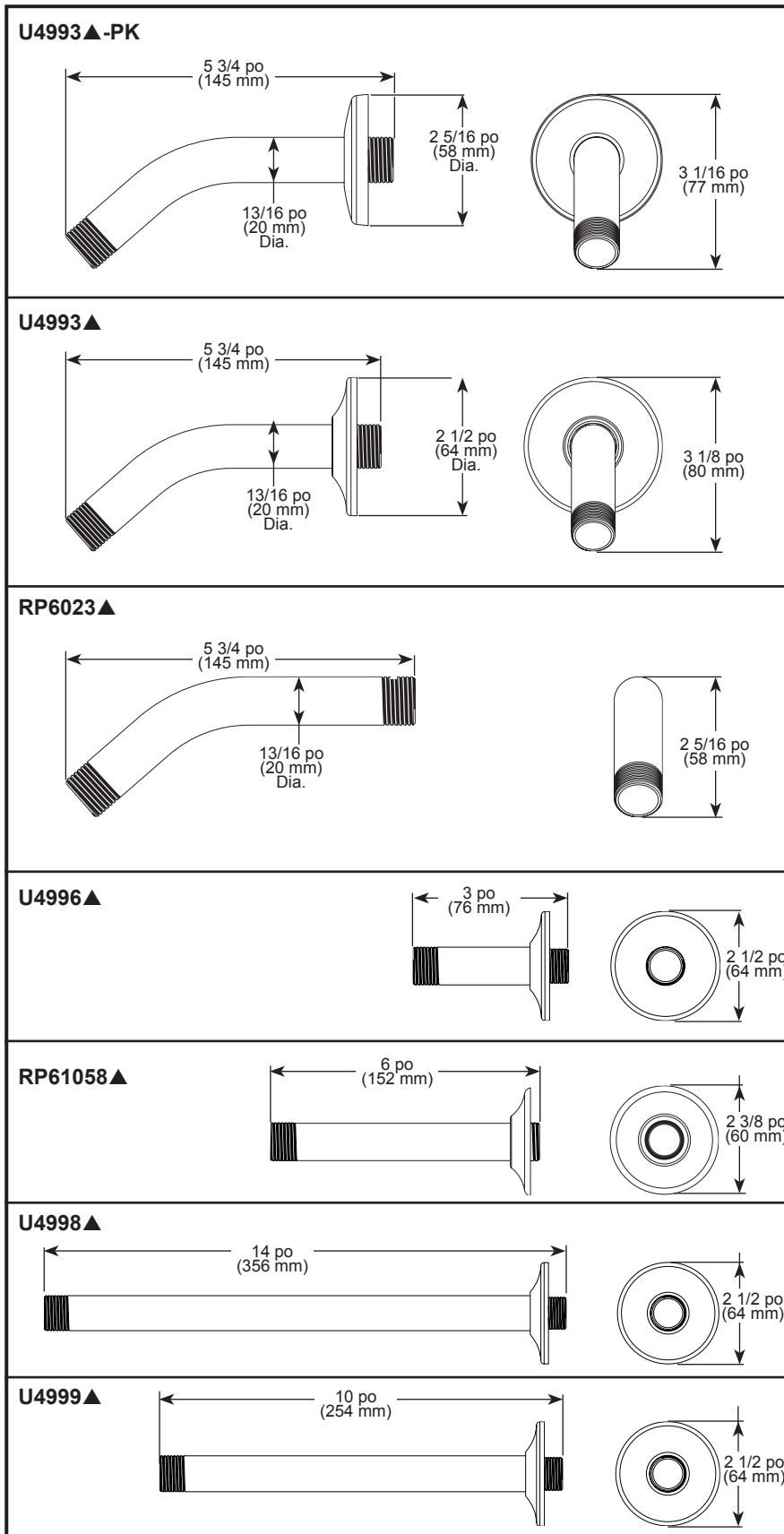
- Les bras de douche se fixent directement à l'alimentation en eau.
- Bras de douche avec bride
- La bride doit être commandée séparément pour RP6023
- Filetage 1/2-14 NPT.

GARANTIE

- Pièces et finition – Garantie à vie limitée; ou pour les clients commerciaux, 10 ans pour les résidences multifamiliales (appartements et condominiums) et 5 ans pour tout autre usage commercial, dans tous les cas à compter de la date de réception du produit par l'acheteur initial ou son représentant autorisé (installateur, etc.).
- Veuillez consulter le site fr.deltafaucet.ca pour tous les détails de notre garantie limitée.

CONFORME À :

- ASME A112.18.1 / CSA B125.1



▲ Désigner le suffixe de finition approprié

Delta Faucet Company se réserve le droit (1) d'effectuer des changements dans les spécifications et les matériaux, et (2) de modifier ou d'abandonner certains modèles, dans les deux cas sans préavis ni obligation. Les dimensions sont à titre indicatif seulement. Consultez le Livre des prix courants de la gamme complète ou fr.deltafaucet.ca pour les options de finition et la disponibilité des produits.

DSP-B-U4993-PK Rév. F

Delta Faucet Company
55 E. 111th Street, Carmel, IN 46280
350 South Edgeware Road, St. Thomas, ON N5P 4L1
© 2026 Delta Faucet Company